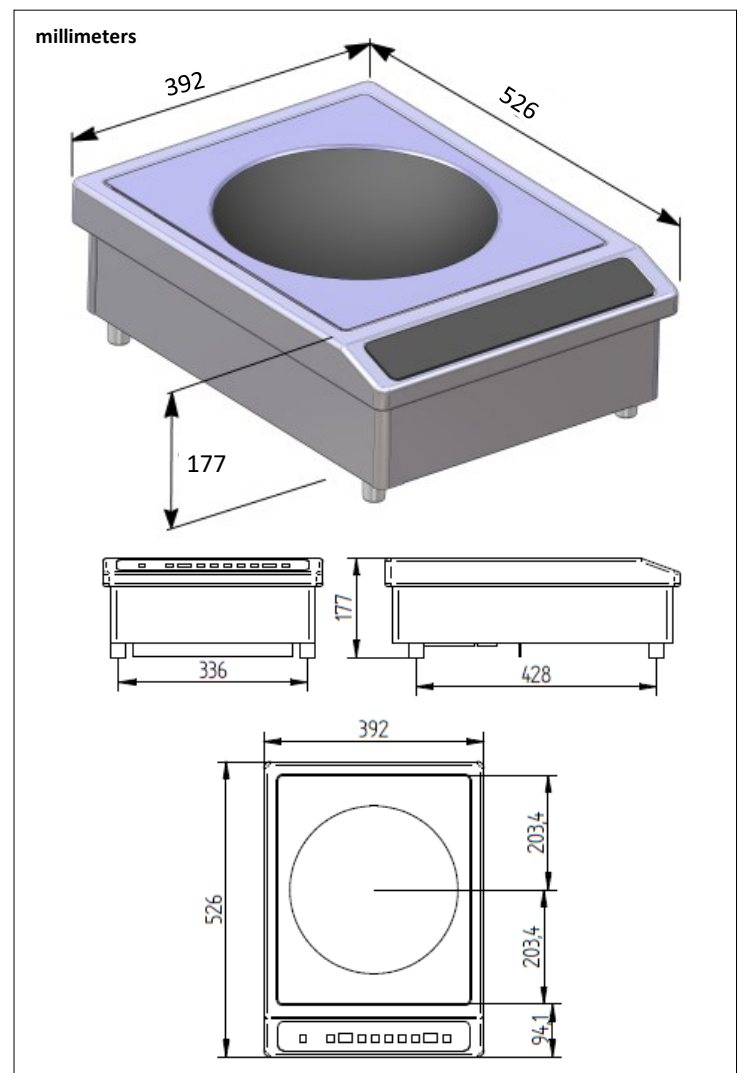


TECHNICAL FEATURES

External structure	AISI 304 stainless steel
Dimensions	526 x 392 x 177
Power	3600W
Cooking surface	Vitroc ceramic glass.
Control panel	Glass touches
Amp	16 A
Functions	On/Off, manual power and temperature setting (+/-) with 4 digits display, 3 presets, timer control with 2 digits display
Power supply	230V; AC 50 - 60 Hz
Weight	10 kg / 22 lbs.
Standards	Complies with European standards for safety of electrical appliances, for EMC, for Rohs and Intertek NSF & UL standards.
Details & Options	Including a 1m60 (5 ft 3 inches) power cord and a filter (wash regularly). Wok pan available upon request



ADVENTYS
Route de Pagny - 21250 Seurre - France
www.adventys.com
sales@adventys.com
T: +33 3 80 20 46 15

Important note

Adventys reserves the right to modify specifications without notice.

